

**PRODUCT DESCRIPTION:**

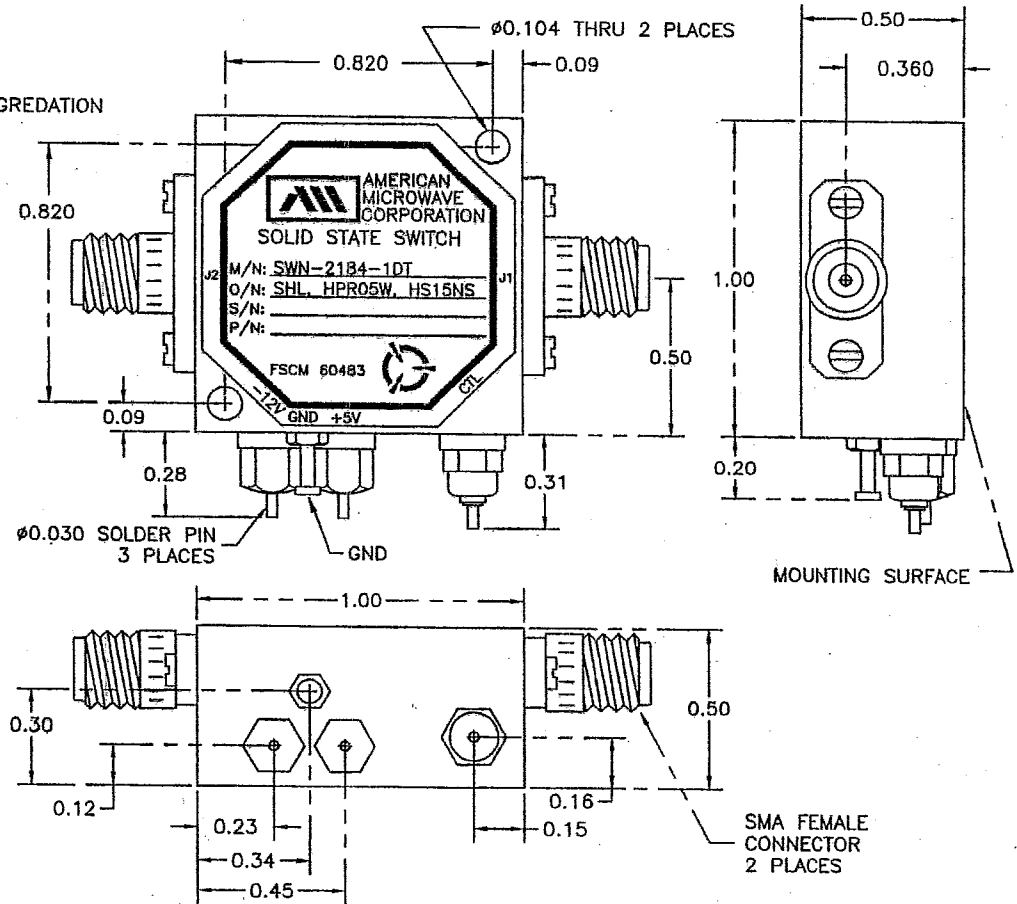
AMC MODEL SWN-2184-1DT OPTION: SHL, HPR05W, HS15NS IS A 8.0 TO 18.0 GHz, HIGH SPEED, HIGH ISOLATION, NON-REFLECTIVE, 0.5 WATT SPST/PULSE MODULATOR.

REVISIONS				
ZONE	REV.	DESCRIPTION	DATE	APPROVED
-	-	ORIGINAL JOB# 205084E	08/05/02	

**SPECIFICATIONS:**

- FREQUENCY RANGE: 8.0 TO 18.0 GHz
- ISOLATION: 80 dB MINIMUM
- INSERTION LOSS: 3.5 dB MAXIMUM
- VSWR: 2.0:1
- POWER HANDLING: 500 mW CW WITHOUT PERFORMANCE DEGRADATION
- RISE TIME: 10 nSec MAXIMUM
- FALL TIME: 10 nSec MAXIMUM
- ON TIME: 30 nSec MAXIMUM
- OFF TIME: 15 nSec MAXIMUM
- RF CONNECTORS: SMA FEMALE
- DC POWER: +5V @ 90 mA, -12V @ 75 mA

**MECHANICAL DRAWING**



**BLOCK DIAGRAM**



ALL DIMENSIONS ARE IN INCHES

TOLERANCES:

X.XX ±0.020

X.XXX ±0.010

**ENVIRONMENTAL RATINGS**

- OPERATING TEMPERATURE: -65°C TO 110°C
- NON-OPERATING TEMPERATURE: -65°C TO 125°C
- HUMIDITY: MIL-STD-202F, METHOD 103B CONDITION B
- SHOCK: MIL-STD-202F, METHOD 213B CONDITION B
- VIBRATION: MIL-STD-202F, METHOD 204D CONDITION B
- ALTITUDE: MIL-STD-202F, METHOD 105C CONDITION B
- TEMPERATURE CYCLE: MIL-STD-202F, METHOD 107D CONDITION A

NOTE: THE ABOVE SPECIFICATIONS ARE SUBJECT TO CHANGE OR REVISION

**CONFIDENTIAL AND PROPRIETARY**

PART NO.		AMERICAN MICROWAVE CORPORATION FREDERICK, MARYLAND		
APPROVALS	DATE	TITLE		
DRAWN gdy	08/05/02	PRODUCT FEATURE SWN-2184-1DT SHL, HPR05W, HS15NS		
CHECKED lk	8/7/02	SIZE	FSCM NO.	DWG NO.
ISSUED RAS	8/10/02	A	60483	100-6378
SCALE N/A		REV.		SHEET 1 OF 3